

# REMOTE & MOTION SENSOR

Product code: HIGHBAY-REMOTE

SKYLUX-G5/EV-MS

Compatible with SKYLUX G5, SKYLUX EVO and PARS G2.

## Sensor Remote Controller (HIGHBAY-REMOTE)



BUTTON	FUNCTION	PERFORMANCE
	ON/OFF	Turn ON or OFF the sensor.
	MW/PIR	Exchange from Microwave detection to PIR detection, for future use.
	Reset	Press it to start detection programming; before pressing any other buttons, the screen shows default programming (Detection Area 100%, Holdtime 5S, Daylight Disable, Standby Dimming 10%, Standby Period 0S)
	Start	Press it before you try to memorize program into the remote; After pressing it, S on the screen will blink and keeping blinking while making the program.
	Memory	Press it after programming, the blinking S will become a solid M, that means the program has been well memorized.
	Apply	Press it to deliver the preset program to the specific sensors; every press will make the whole screen blink gently.
	Detection Area	Also known as "sensitivity", 100% means the highest sensitivity and longest distance. Press it, specific icon on the screen will blink and press the + - buttons to adjust.
	Hold Time	The period that light will stay illuminated 100% after no motion's detected; Press it, specific icon on the screen will blink and press the + - buttons to adjust.
	Daylight Threshold	The preset Lux level to compare with ambient brightness when motion gets detected; Press it, specific icon on the screen will blink and press the + - buttons to adjust.
	Stand-by Period	The period after holdtime, during which the light keeps standby dimming level; Press it, specific icon on the screen will blink and press the + - buttons to adjust.
	Stand-by Dimming Level	After holdtime, the light will dim from 100% to optional standby dimming levels; Press it, specific icon on the screen will blink and press the + - buttons to adjust.
	UP	The main functional buttons to adjust the factors to wanted level.
	DOWN	
	POWER	Supports to manually change dimming output in detection mode; Press it, specific icon on the screen will blink and press the + - buttons to adjust.
	Test Mode	Supports to check if the sensor works correctly with a short 2S holdtime; Press it and the holdtime will change to 2S, and it can't be memorized.

## Features & Benefits

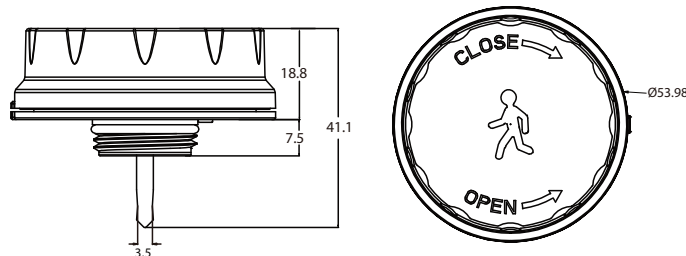


## SKYLUX-G5/EV-MS

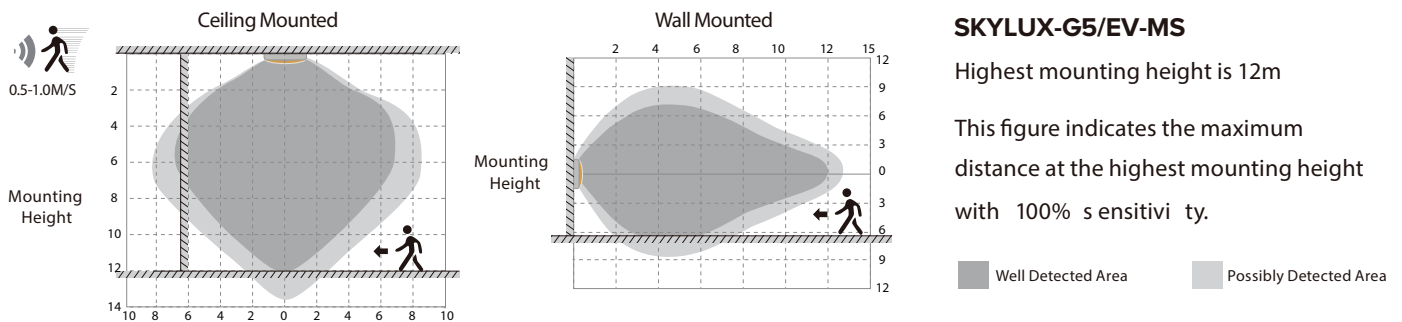
- Microwave sensor head, 12VDC powered, remote control.
- Bi-level dimming, daylight threshold and dusk/dawn function.
- With Audio Jack, suitable for UFO highbay application.
- With UL certificate.

## Dimensions Unit:mm

### SKYLUX-G5/EV-MS



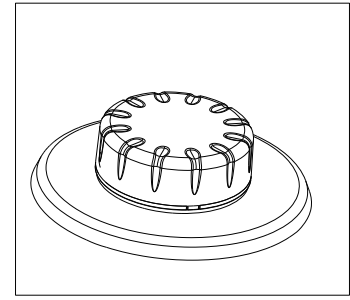
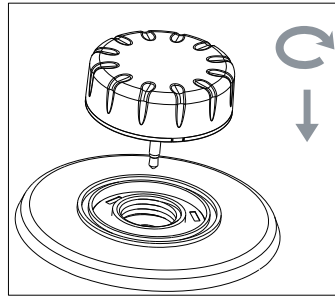
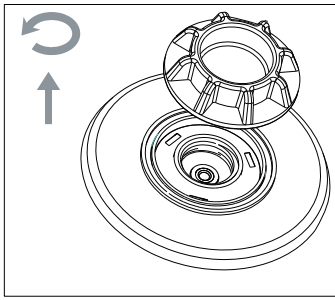
## Detection Coverage



# Parameters

Model NO.		SKYLUX-G5/EV-MS
MICROWAVE INFORMATION	Frequency	5.8GHz±75MHz
	Microwave Power	<0.3mW
	Installation Height	12m/39ft Max.
	Detection Distance	≥3m/9ft
	Warranty	5 Years
SENSOR PARAMETER	Detection Area	25%/50%/75%/100%
	Holdtime	5s/30s/1min/3min/5min/10min/20min/30min
	Daylight Threshold	Disable/ 2lux/ 10lux/ 30lux/ 50lux/ 80lux/ 120lux
	Standby Dimming Level	10%/20%/30%/50%
	Standby Period	0s/10s/30s/1min/5min/10min/30min/60min+ ∞
	Dusk/Dawn Sensing/ Photocell	Daylight threshold as 30lux/ 50lux/ 80lux/ 120lux Standby period as + ∞; Standby dimming level as 10%/20%/30%
	Default Program	Detection Area - 100% Holdtime - 5S Daylight Threshold - disable Standby Period - 0S Standby Dimming Level - 10%
Control	Standard Partner HD05R, the LCD screen display remote (purchase seperately)	
INPUT	Input Range	12VDC
	Voltage Range	10-15VDC
	Current	≥30mA
OUTPUT	Signal	DIM 0-10V
	Connection	12VDC input/ Black&White wire
	Stand-by Power	<30mA Power Consumption
ENVIRONMENT	Working Temp	-20°C~+60°C
	Storage Temp	-40°C~+80°C Humidity: 85% (non-condensation)
CERTIFICATE & STANDARDS	Certification	UL (E529048)
	Environmental Requirements	In accordance with CE ROHS
	IP Rating	IP65
PACKAGE	Silk-Printing	Lasering
	Packing Description	1pcs/white neutral box
	Qty/ctn(pcs)	120
	Net Weight/pcs (kg)	0.05
	Gross Weight/CTN (kg)	11
	Carton Size (cm)	40*30*25

# Wiring Diagram



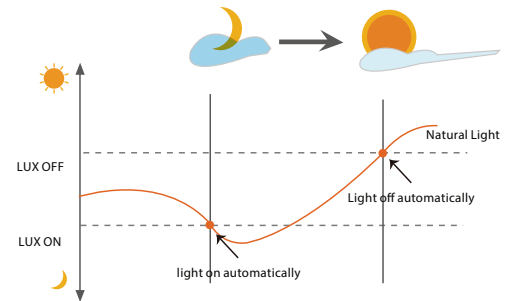
## Performance

### Dusk/Dawn function

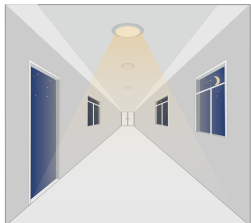
HD07VR-MH-1 is able to differentiate artificial light brightness from natural light after installed inside the fixture, and automatically turn off light when ambient brightness exceeds preset lux level.

#### Precondition of Dusk/Dawn function:

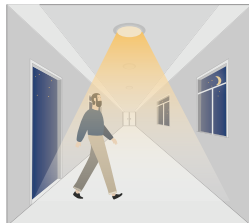
1. Standby period is + ∞;
2. Standby dimming level is on 10%, 20% or 30%;
3. Daylight threshold is on 30lux/ 50lux/ 80lux/ 120lux



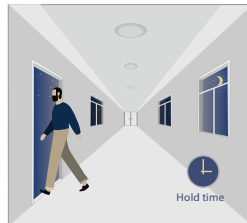
#### 1. With Dusk/Dawn function



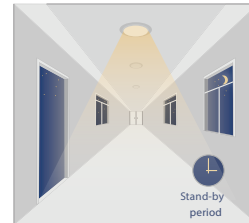
With insufficient ambient brightness, sensor turns on light and keeps it at standby dimming level even if there is no motion or presence.



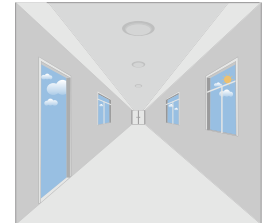
When sensor detects motion or presence it will bring the light level up to 100%.



After motion is no longer detected, fixture remains at 100% for hold time.

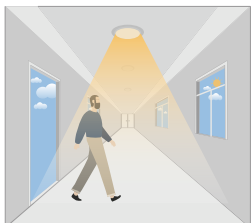


After pre-set hold time period it will dim light to standby dimming level again and always keep it.

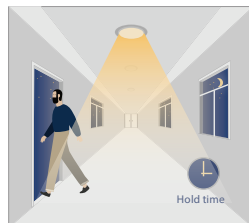


With sufficient ambient brightness, sensor will turn OFF light automatically.

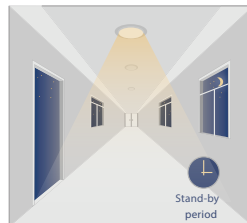
#### 2. With daylight disabled



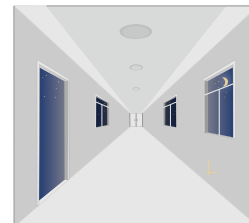
Sensor turns ON light when motion is detected.



Sensor keeps for a hold time period after motion leaves

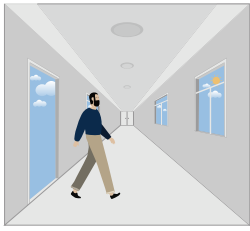


Sensor dims light to standby dimming level after hold time if there is still no motion

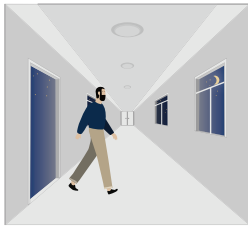


Sensor turns OFF light after standby period

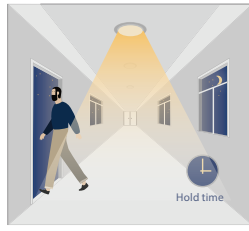
### 3. With Daylight Threshold



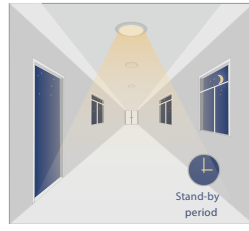
With sufficient daylight, the sensor keeps light OFF even motion gets detected



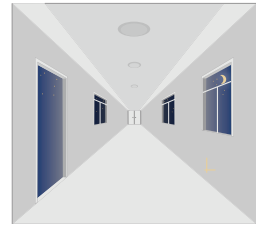
With insufficient daylight, the sensor turns light ON when motion gets detected



After there's no motion detected, the sensor keeps light ON 100% for holdtime.



After holdtime, sensor dims light to standby dimming level for standby period. if the standby period has been set as 0s, sensor turns light OFF automatically after holdtime.



The sensor turns OFF light automatically after the standby period when there's no motion detected.



#### Attention

1. The sensor should be installed by qualified electrician and ensure power is OFF before installation.
2. Please read the instruction carefully before using the product and keep it well for other users to read any time.
3. We reserve the right to modify any incorrect text, image and technical parameters.
4. Any unauthorized modification is forbidden. Otherwise all guarantees will be immediately invalid.
5. Product could be optimized without prior notice.

## APPLICATION NOTES

1. Suitable for indoor application, half/completely outdoor environment conditions might be captured as moving signals to trigger the sensor.
2. Suitable for ceiling mount installation, adjust sensitivity properly if it's installed on side-wall because it gets more sensitive.
3. Adjust sensitivity properly when the sensor is applied in small/narrow/metal-built/with metal spaces.
4. Microwave sensor can't be placed under/inside metal shell; Microwave module must directly face the detection area with edge lower than light fixture.
5. Keep the sensor away from vibration equipments, air-conditioning outlets, smoke extractors alike conditions to avoid unwanted trigger.
6. Keep the sensor module away from AC input and DC output to avoid high/low frequency signal interference.
7. At least 2m/6.5ft distance between microwave sensors; 1.5m/4.9ft between the sensor and other wireless devices such as routers to avoid possible radio interference.
8. Daylight testing delivered in bright day without shadow or specially designed lampshade or lens.
9. Dimming performance differs when connected to different drivers; If the driver can't completely turn OFF, sensor can't either.
10. Input power voltage must be stable with float less than 10%.
11. The first time powered ON sensor, light will be ON 100% for about 10S then dims to standby level or OFF.
12. Distance detection is delivered by testing person about 165cm in open area as reference, the result differs by size and speed of moving objects, mounting height and real-life situation.